



livingstone  
baths

# INSTALLATION GUIDE





# BATH RANGE



Interno Bath



**Base Type A**

L 1620 x W 905 x H 475 mm  
Base 860 x 260 mm

Regalo Bath



**Base Type A**

L 1685 x W 740 x H 460 mm  
Base 770 x 310 mm

Perlato Petite/Perlato Bath



**Base Type B**

L1500 x W 780 x H 560 mm • L 1680 x W 845 x H545  
Base 740 x 445 mm • Base 920 x 495 mm

Charlotte Bath



**Base Type C**

L 1605 x W 745 x H 510 mm  
Base 780 x 410 mm

Alana Bath



**Base Type C**

L 1645 x W 785 x H 510 mm  
Base 1090 x 530 mm

Grassetto Bath



**Base Type C**

L 1530 x W 860 x H 500 mm  
Base 1200 x 600 mm

Redere Petite/Redere Bath



**Base Type B**

L 1500 x W 750 x H 510 mm • L 1720 x W 870 x H520  
Base 830 x 580 mm • Base 1010 x 580 mm

Isola Bath



**Base Type D**

L 1780 x W 1000 x H 560 mm  
Base 900 x 320 mm

Lusso Bath



**Base Type D**

L 1887 x W 1110 x H 535 mm  
Base 1065 x 450 mm

Integrated Overflow



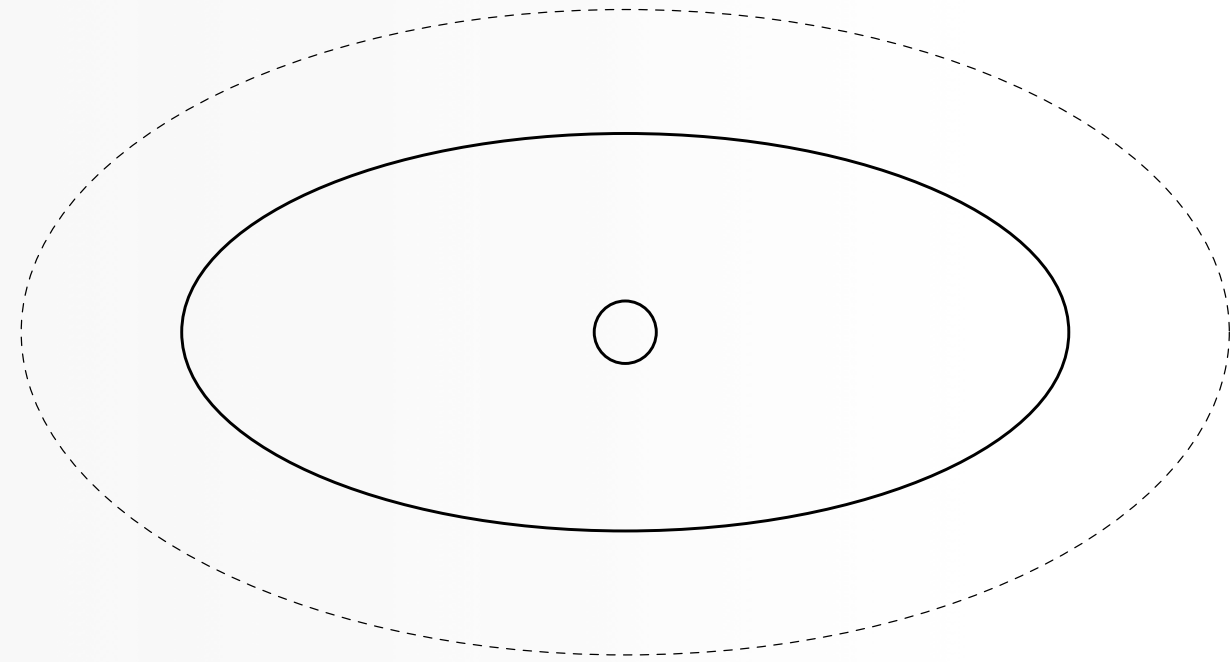
**Base Type E**

Applies to Alana Bath  
& Charlotte Bath

LIVINGSTONE BATHS

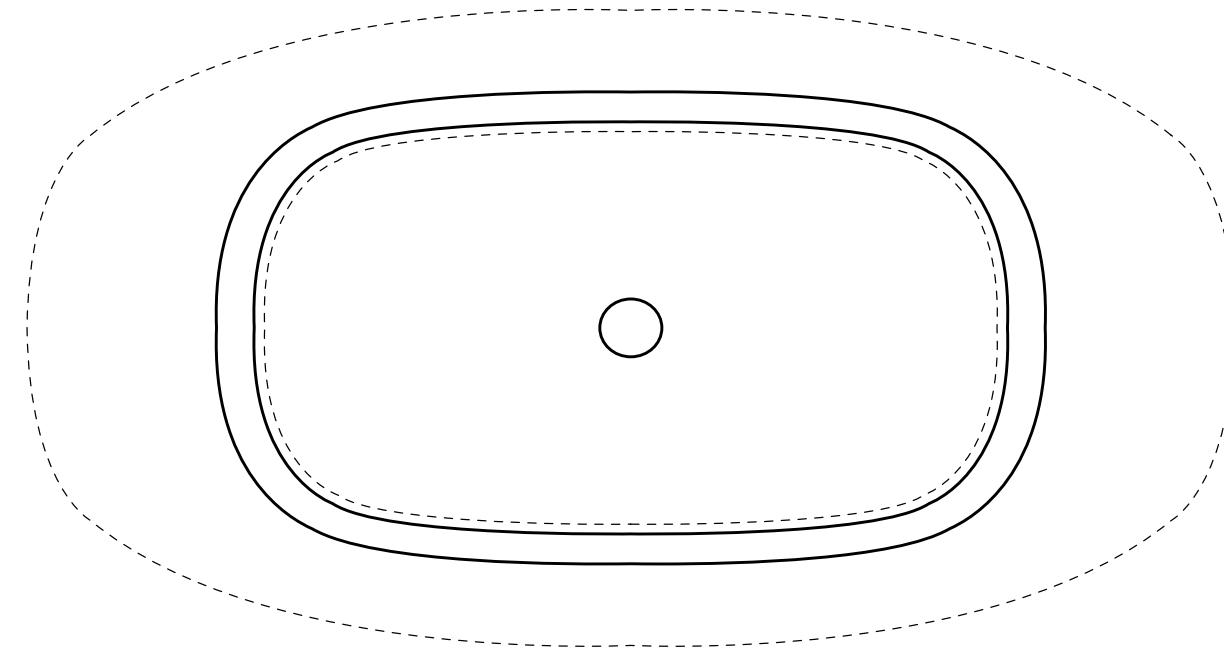


# BATH BASES



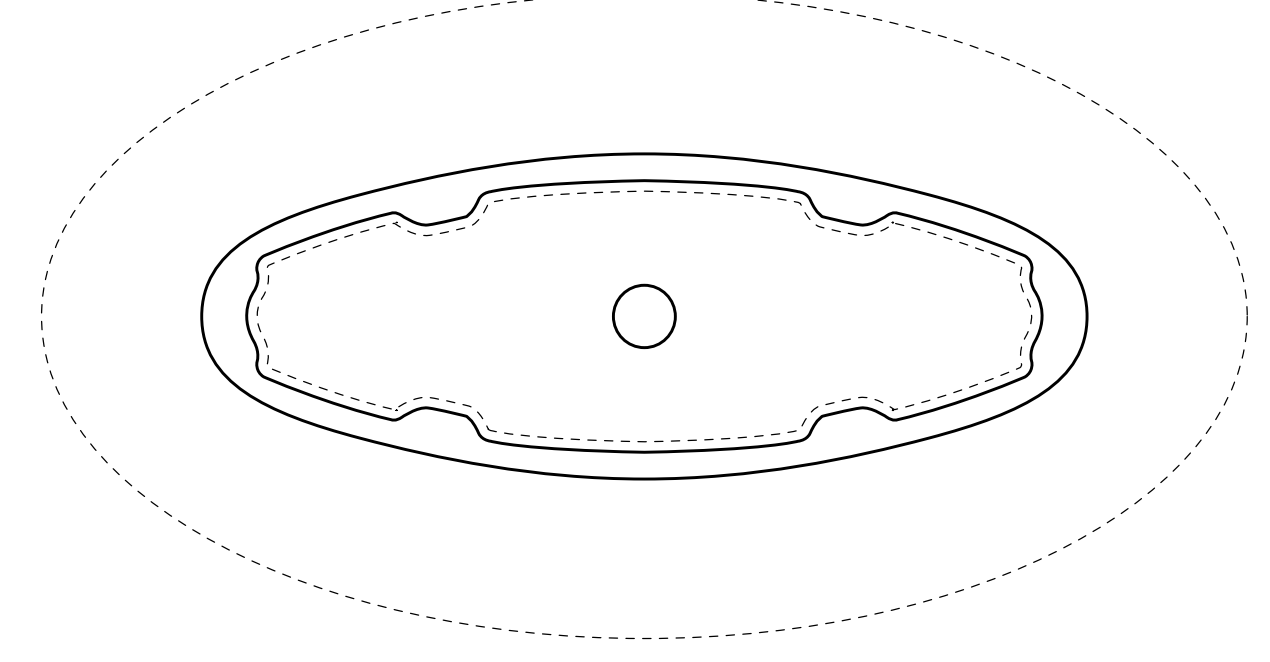
**Base Type A**

Floor Level - Chopping Required  
Suitable for Option 1, 2, 3 & 4



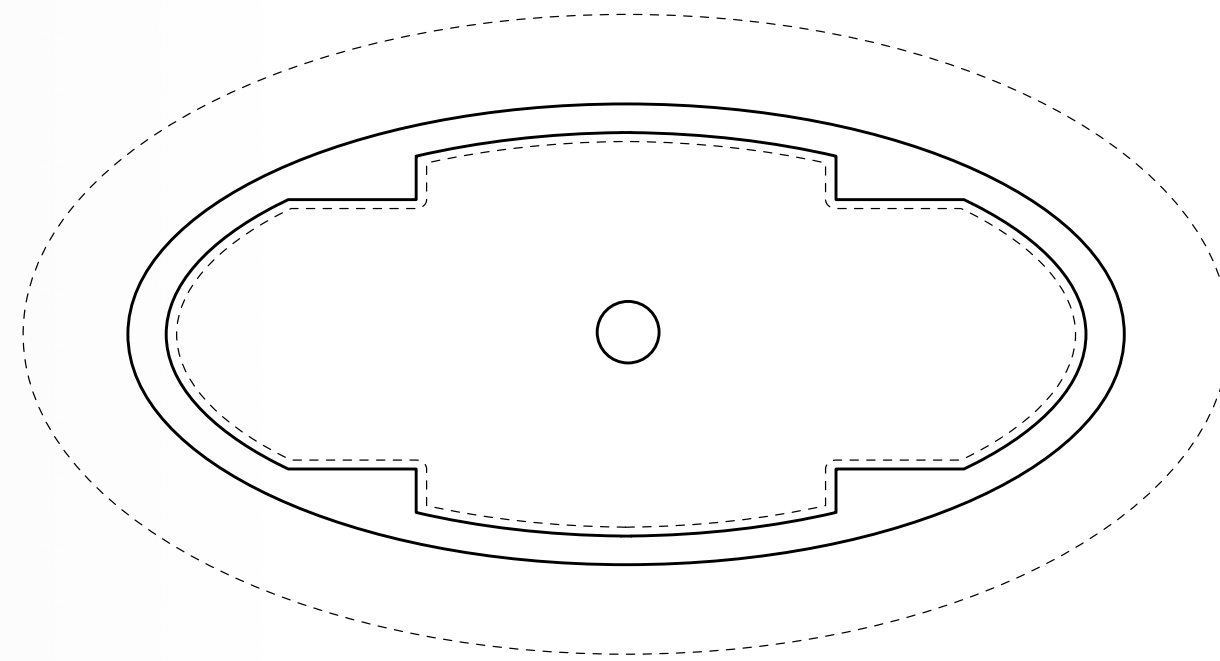
**Base Type B**

30mm Cavity – Partial Chopping Required  
Suitable for Option 1, 2, 3 & 4



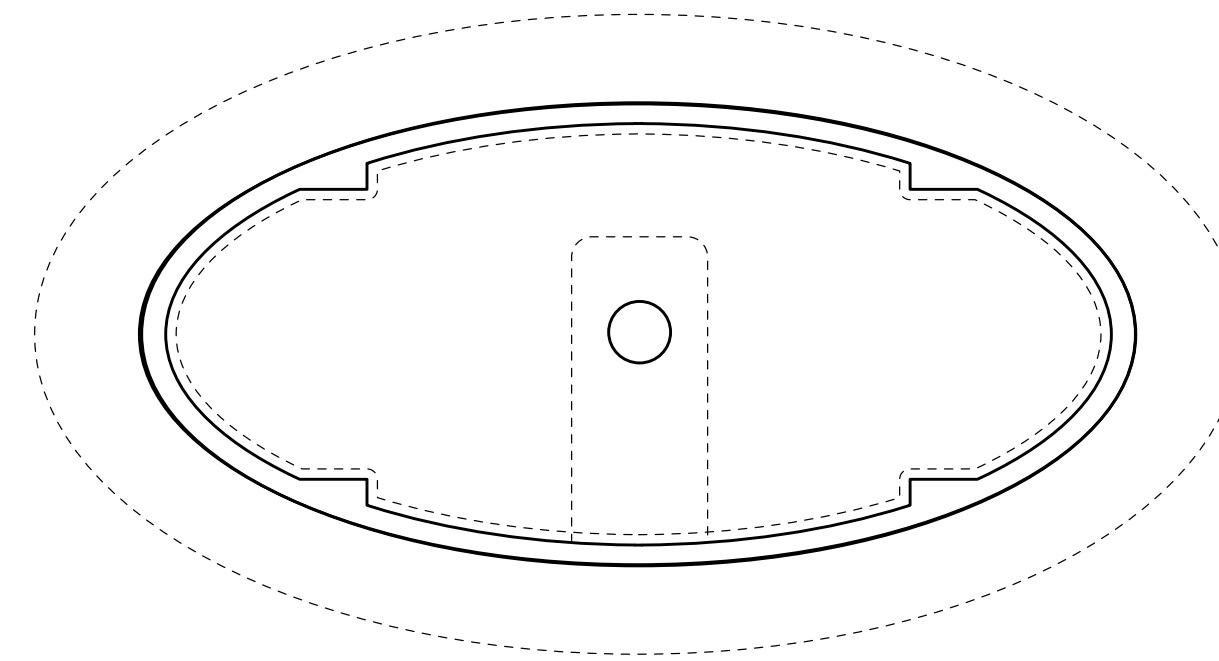
**Base Type C**

80mm Cavity – No Chopping Required  
Suitable for Option 1, 2, 3 & 4



**Base Type D**

100mm Cavity – No Chopping Required  
Suitable for Option 1, 2, 3 & 4

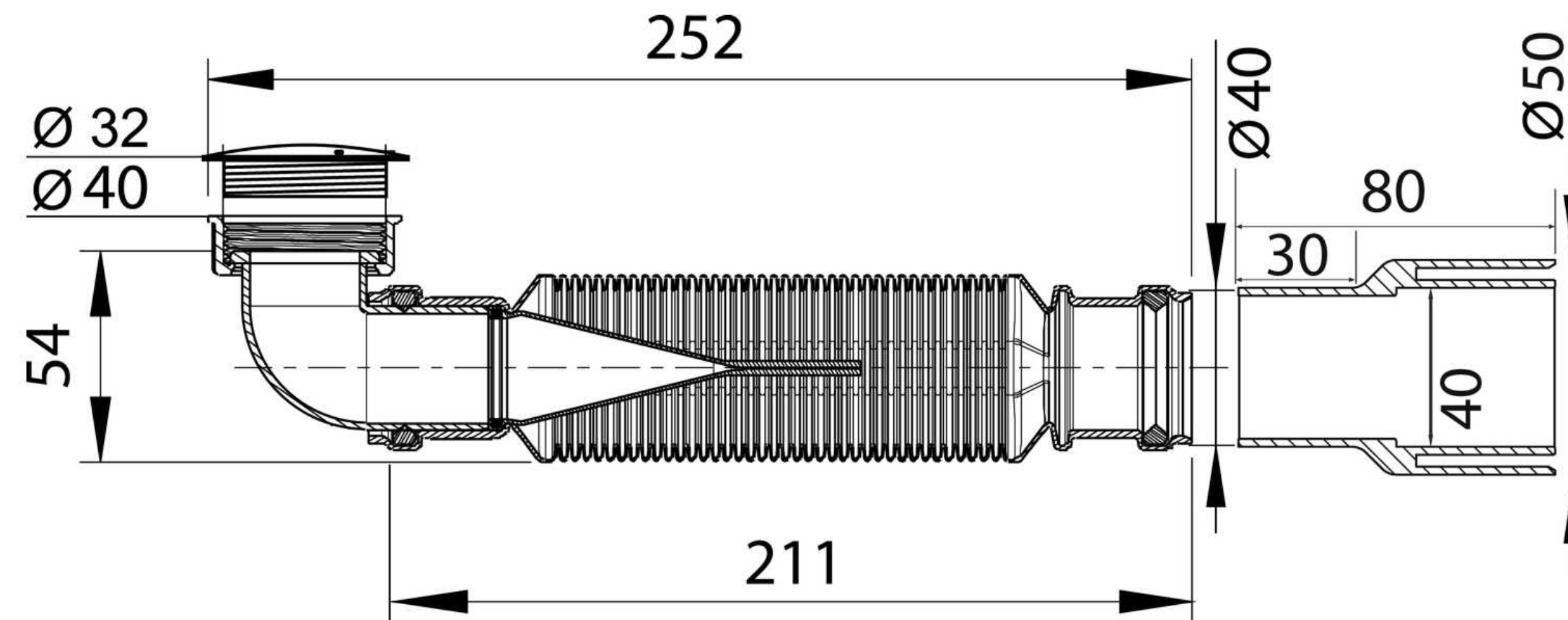


**Base Type E**

100mm Cavity – No Chopping Required – Integrated Overflow  
Suitable for Option 1, 2 & 3

# OPTION 1

## SENZO TRAP

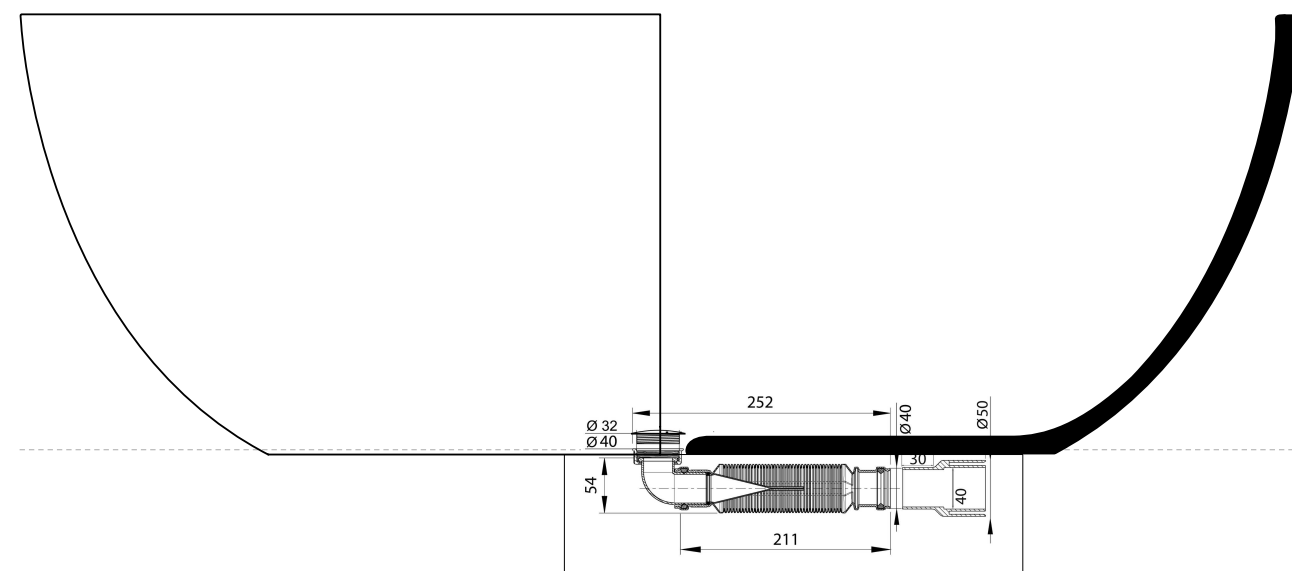


### SENZO TRAP

- ✓ Senzo Trap 30931009
- ✓ Waste BTW201L and BTW 201
- ✓ FPST Universal Slinky (Optional)

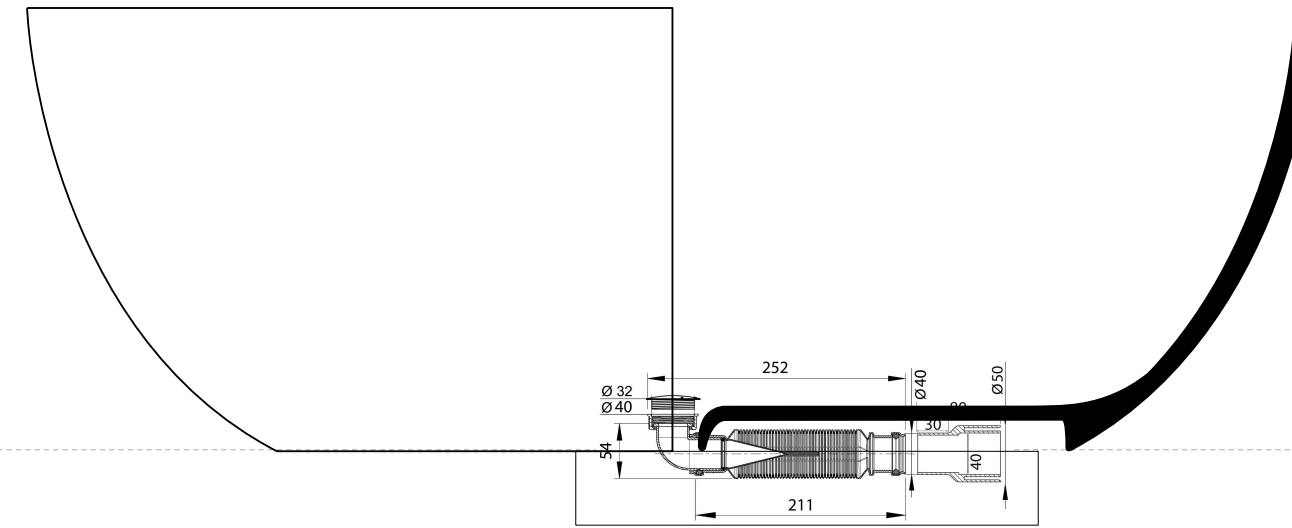
#### Base Type A

Floor Level - Chopping Required



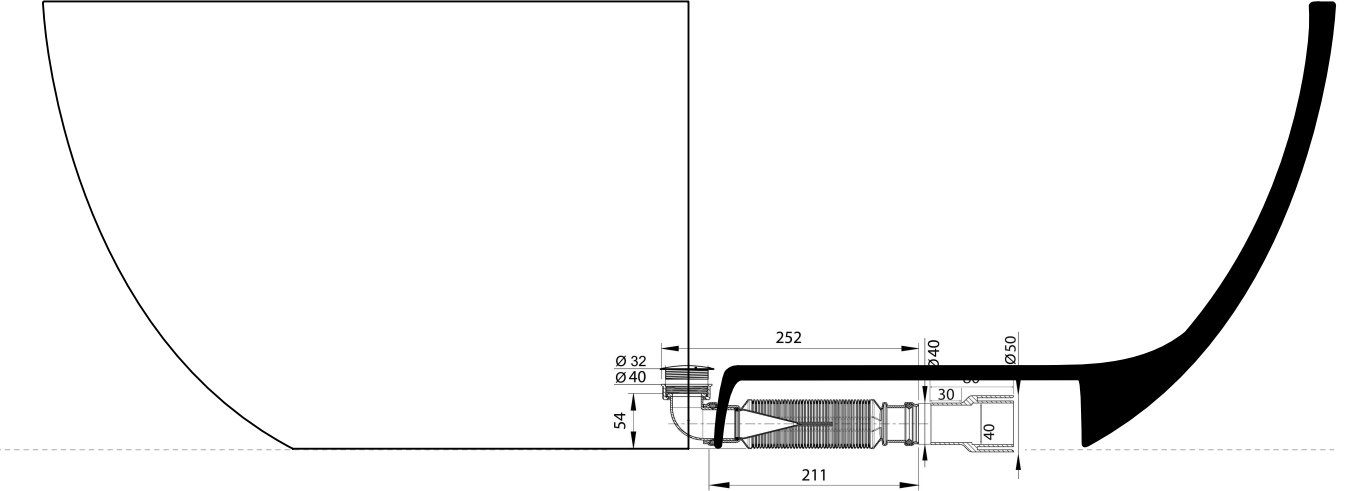
#### Base Type B

30mm Cavity- Partial Chopping Required



#### Base Type C,D & E

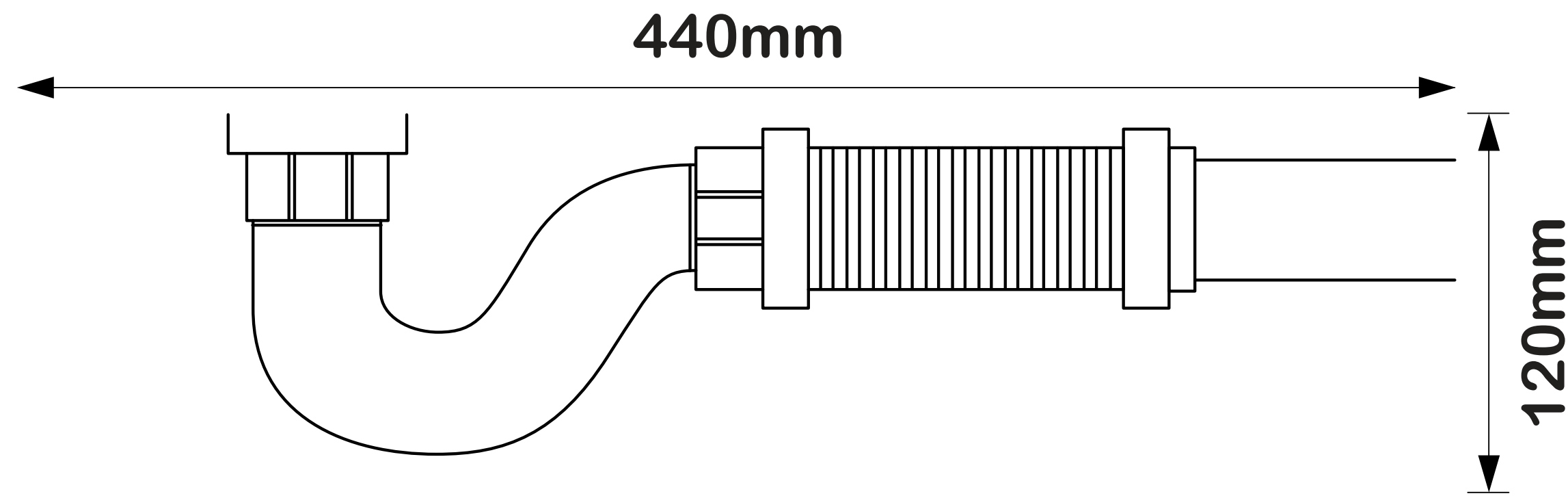
80 – 100mm Cavity – No Chopping Required





# OPTION 2

## GIO TRAP



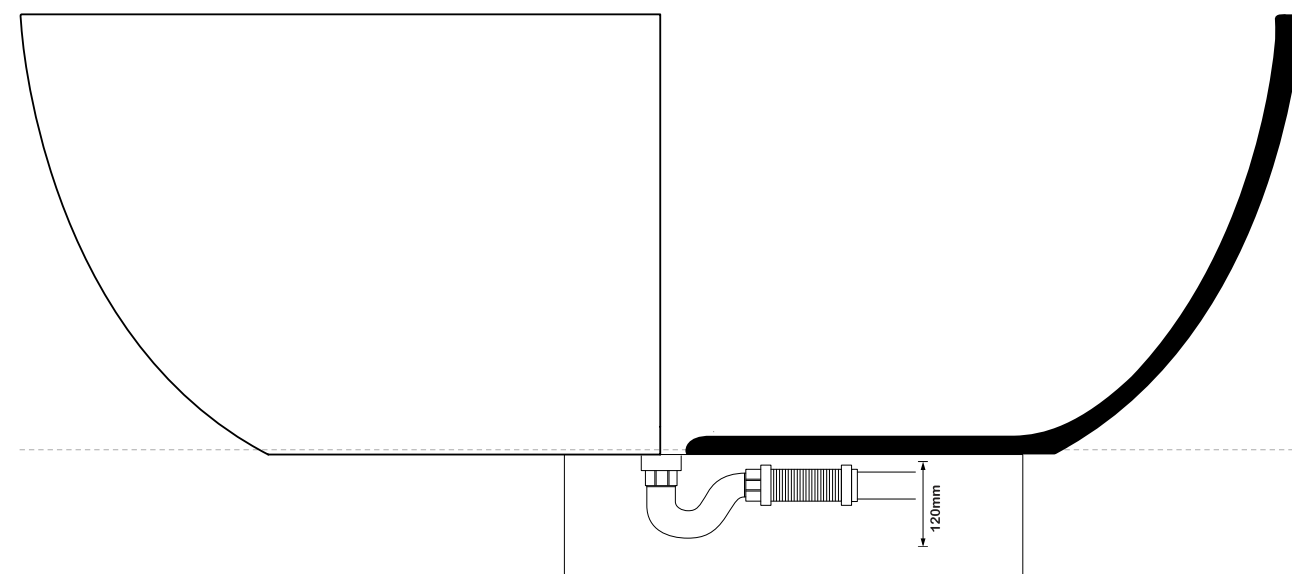
### GIO TRAP

- ✓ Gio Trap A1015 Spare
- ✓ Waste BTW201L and BTW 201
- ✓ FPST Universal Slinky

LIVINGSTONE BATHS

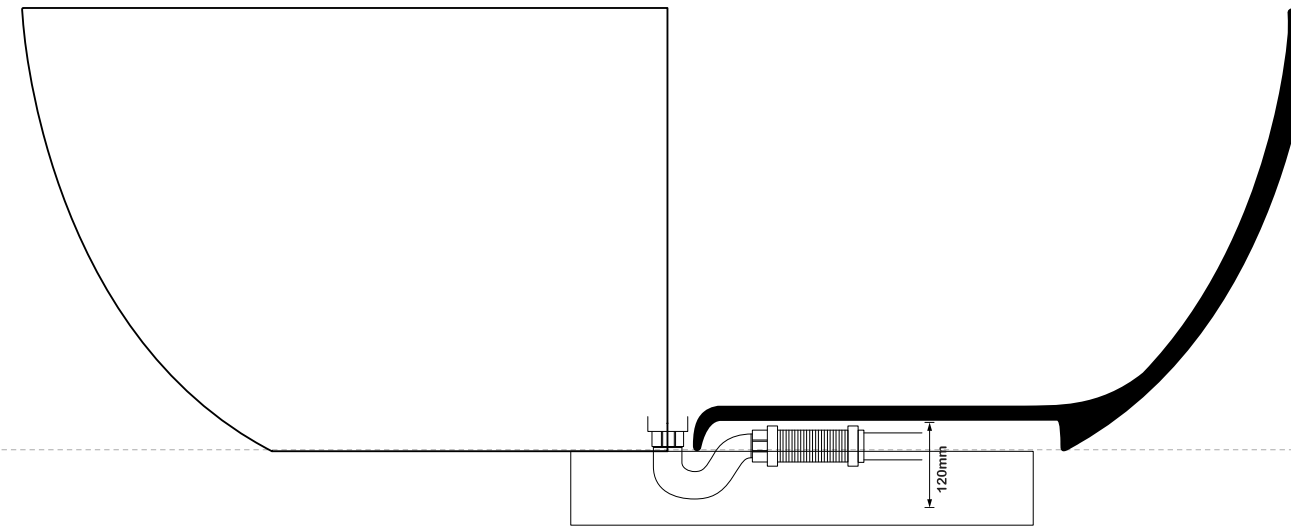
#### Base Type A

Floor Level - Chopping Required



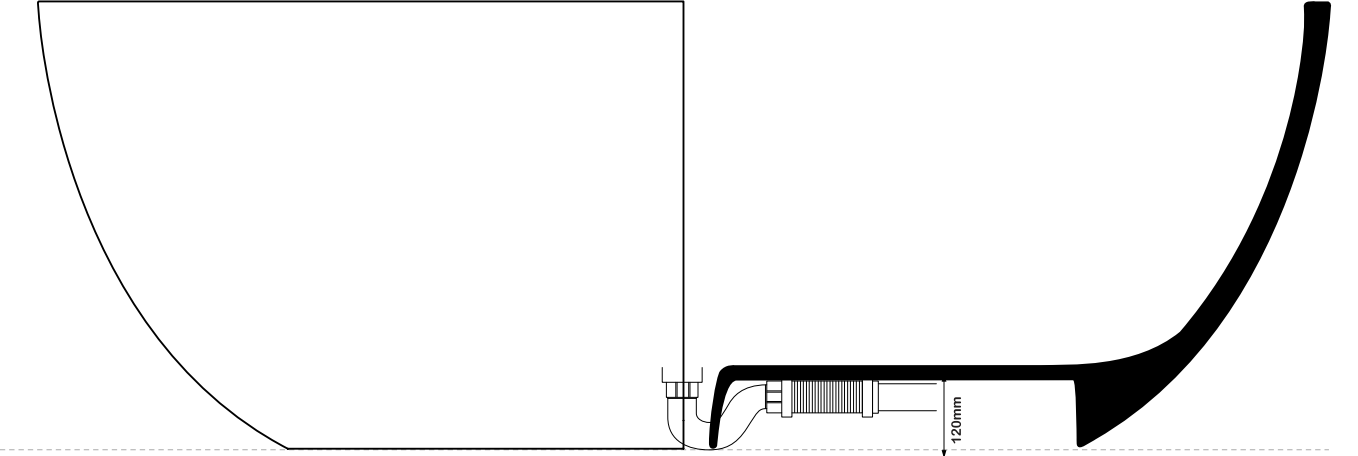
#### Base Type B

30mm Cavity - Partial Chopping Required



#### Base Type C,D & E

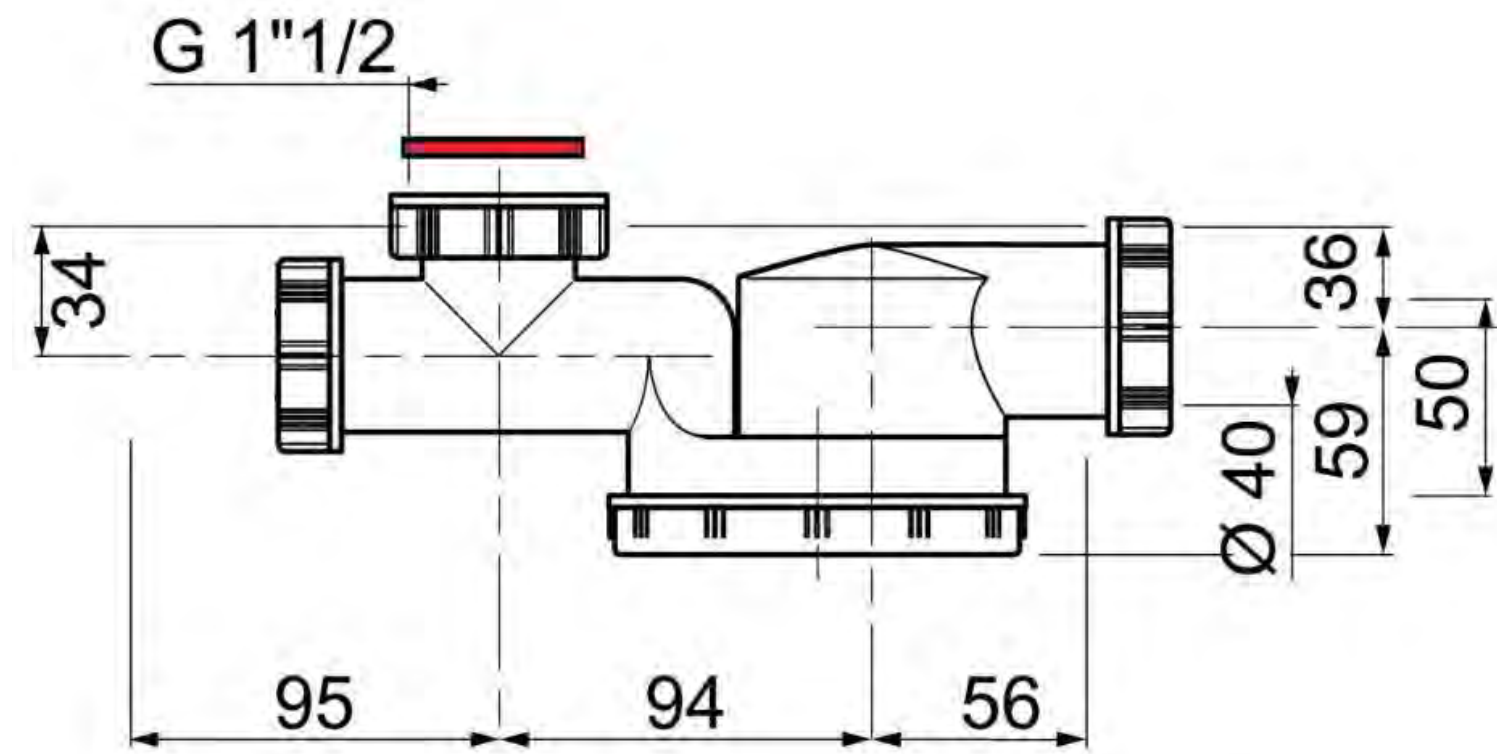
80 - 100mm Cavity - No Chopping Required





# OPTION 3

## WIRQUIN PRO SPACE

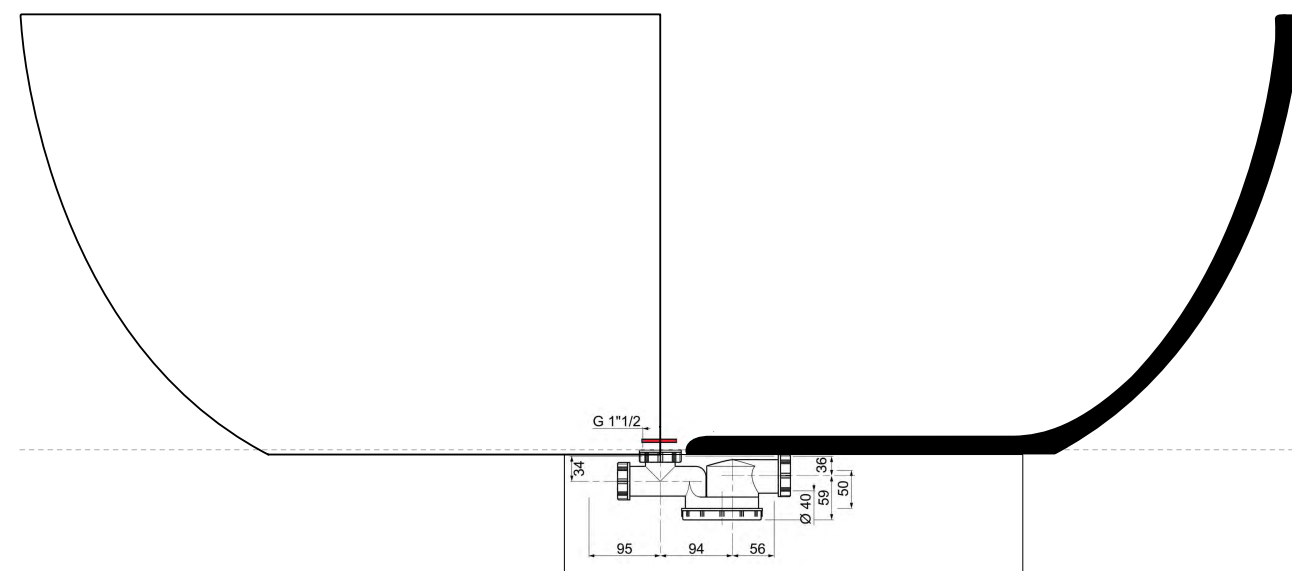


### WIRQUIN PRO SPACE

- ✓ Wirquin 30932011 Single Sink
- ✓ Waste BTW201L and BTW 201
- ✓ FPST Universal Slinky

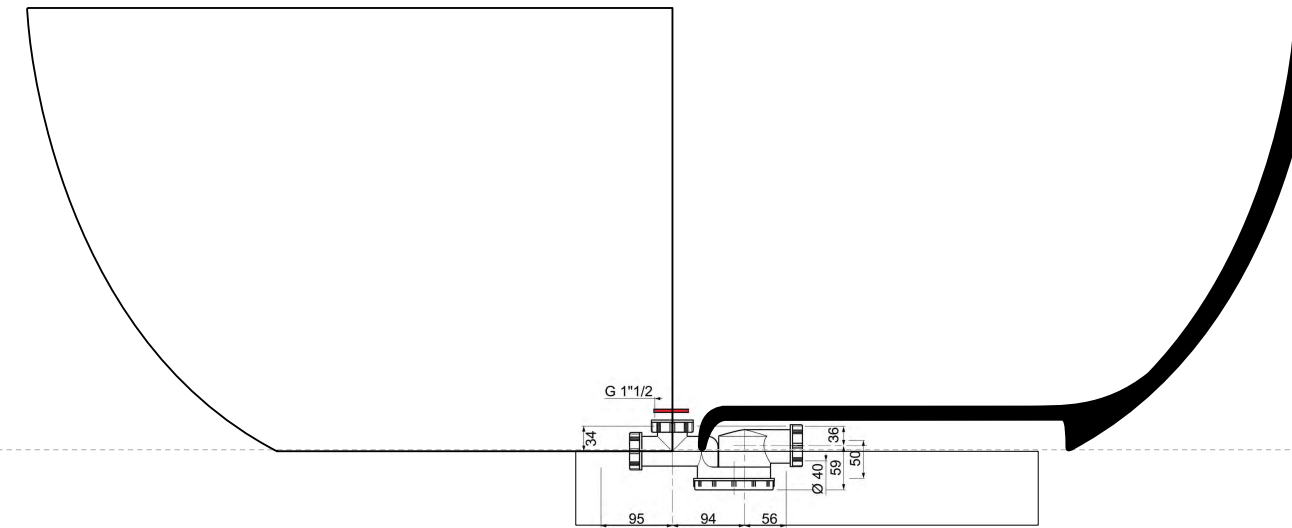
#### Base Type A

Floor Level - Chopping Required



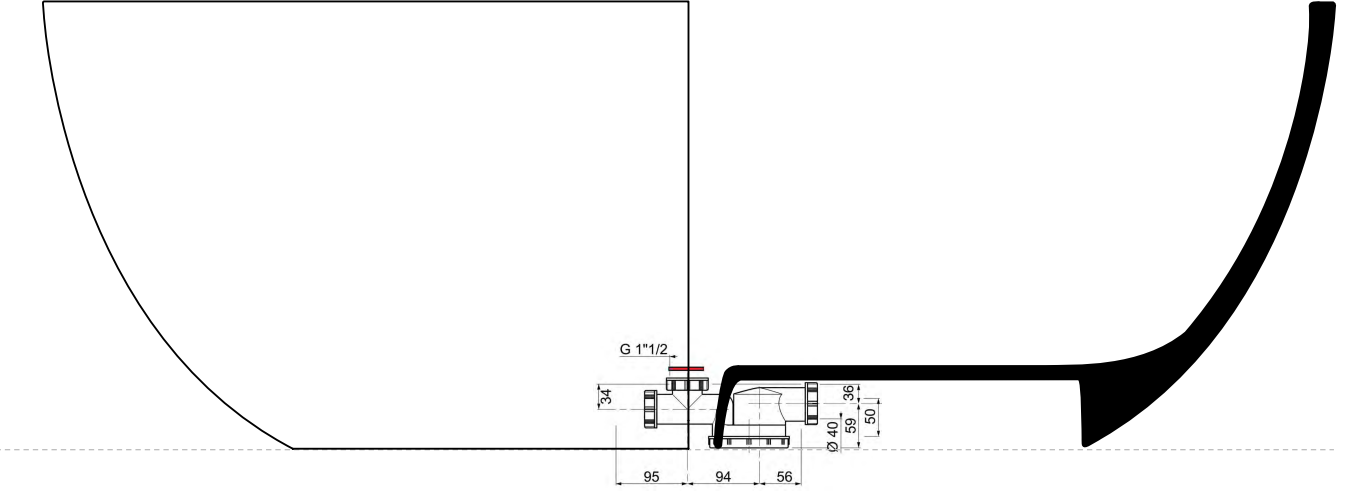
#### Base Type B

30mm Cavity - Partial Chopping Required



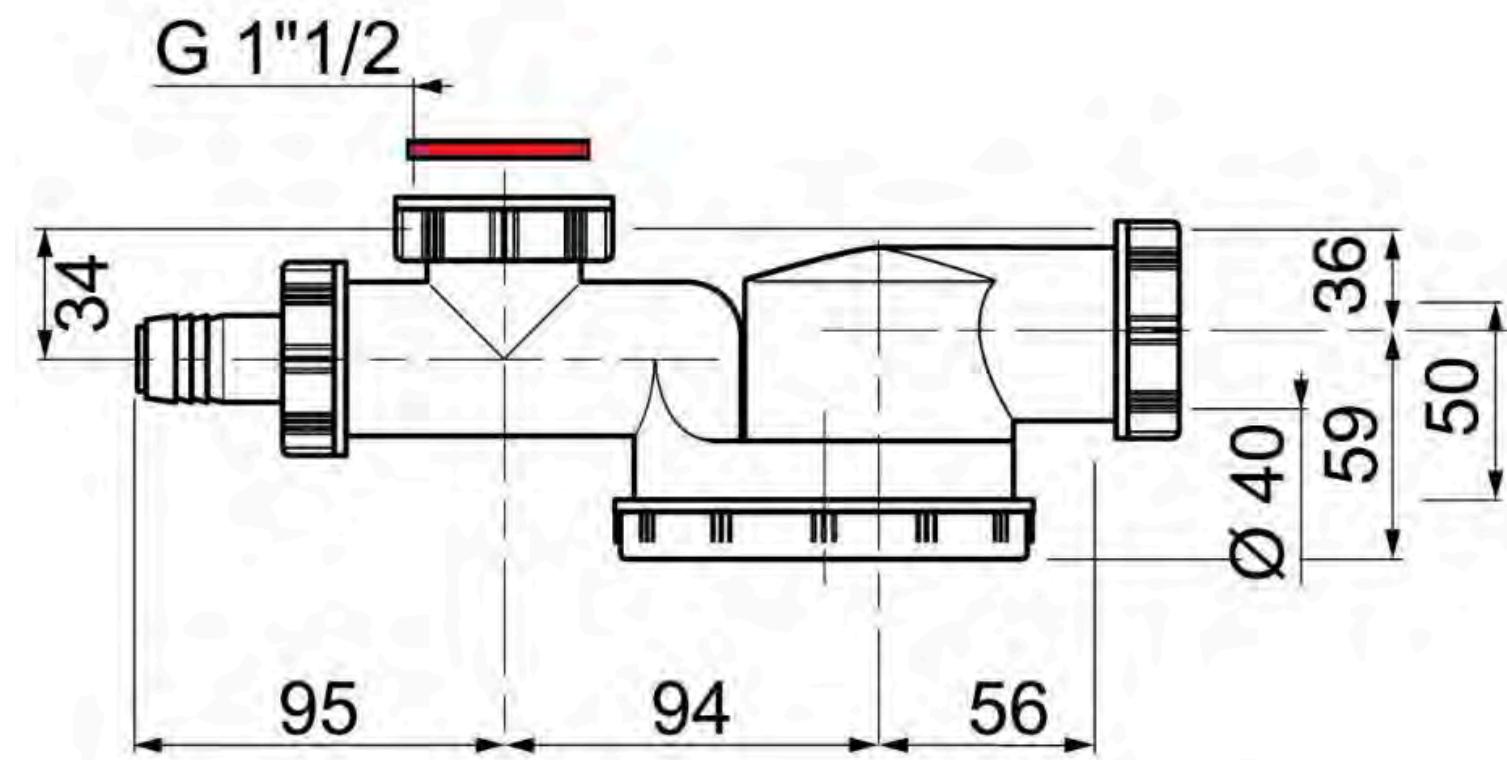
#### Base Type C,D & E

80 - 100mm Cavity - No Chopping Required



# OPTION 4

## WIRQUIN OVERFLOW SYSTEM

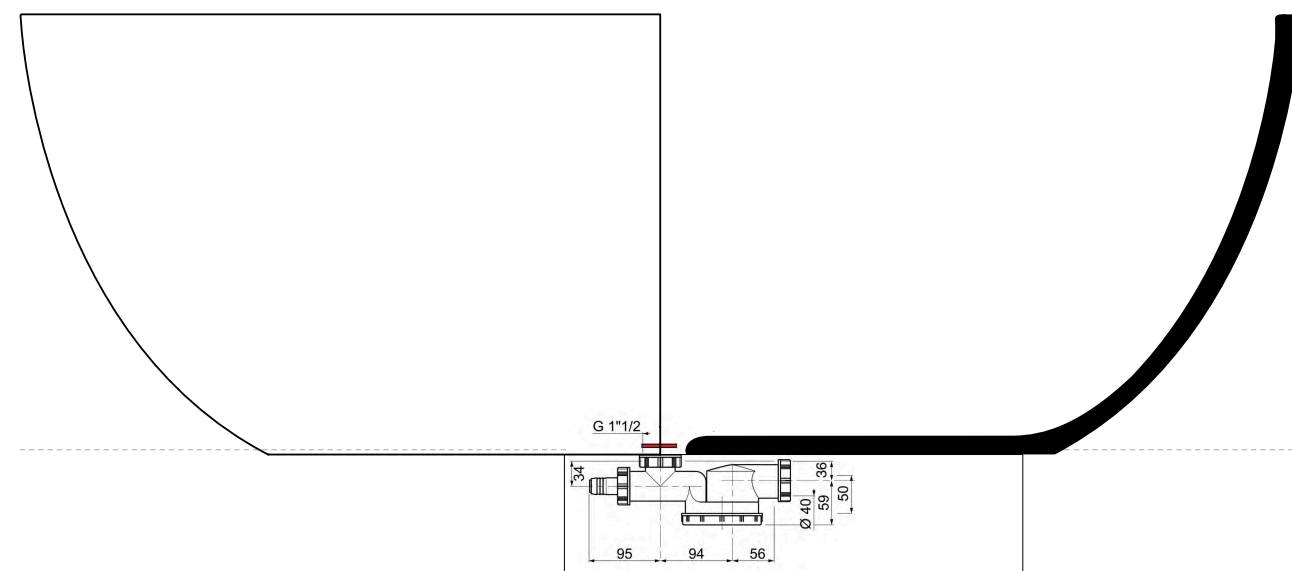


### WIRQUIN PRO ESPACE

- ✓ Wirquin 30932011 Single Sink
- ✓ Waste BTW201L and BTW 201
- ✓ Washing Machine Hose
- ✓ FPST Universal Slinky

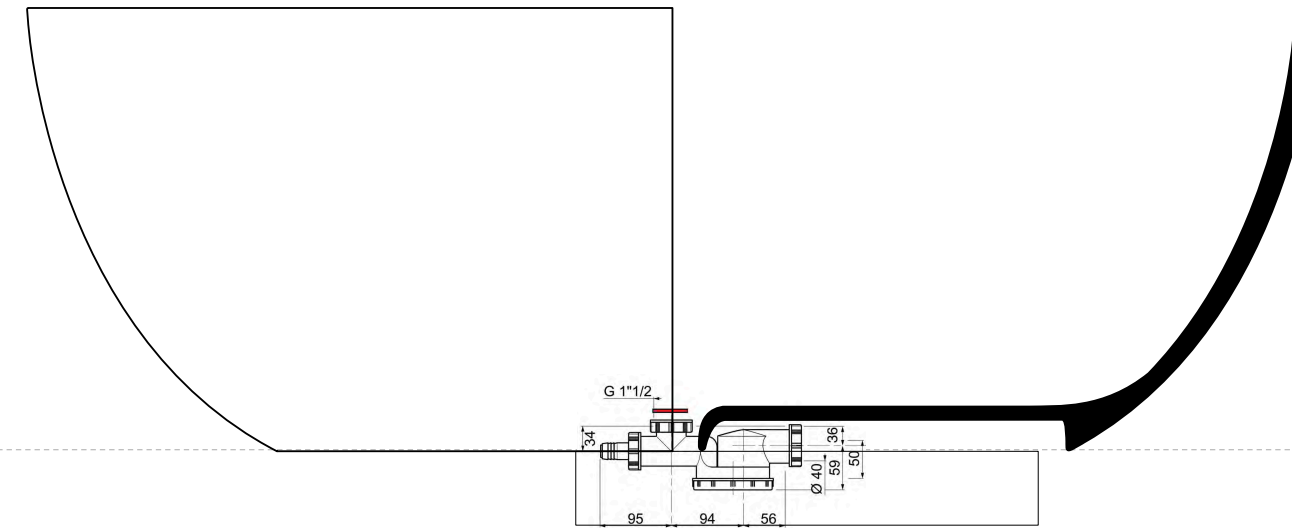
#### Base Type A

Floor Level - Chopping Required



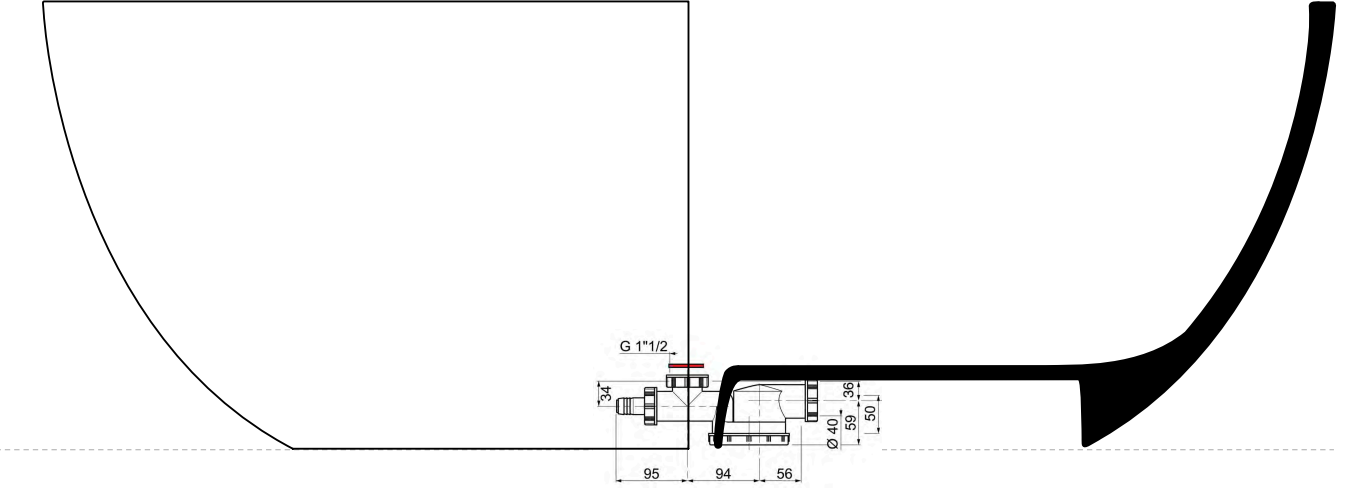
#### Base Type B

30mm Cavity - Partial Chopping Required



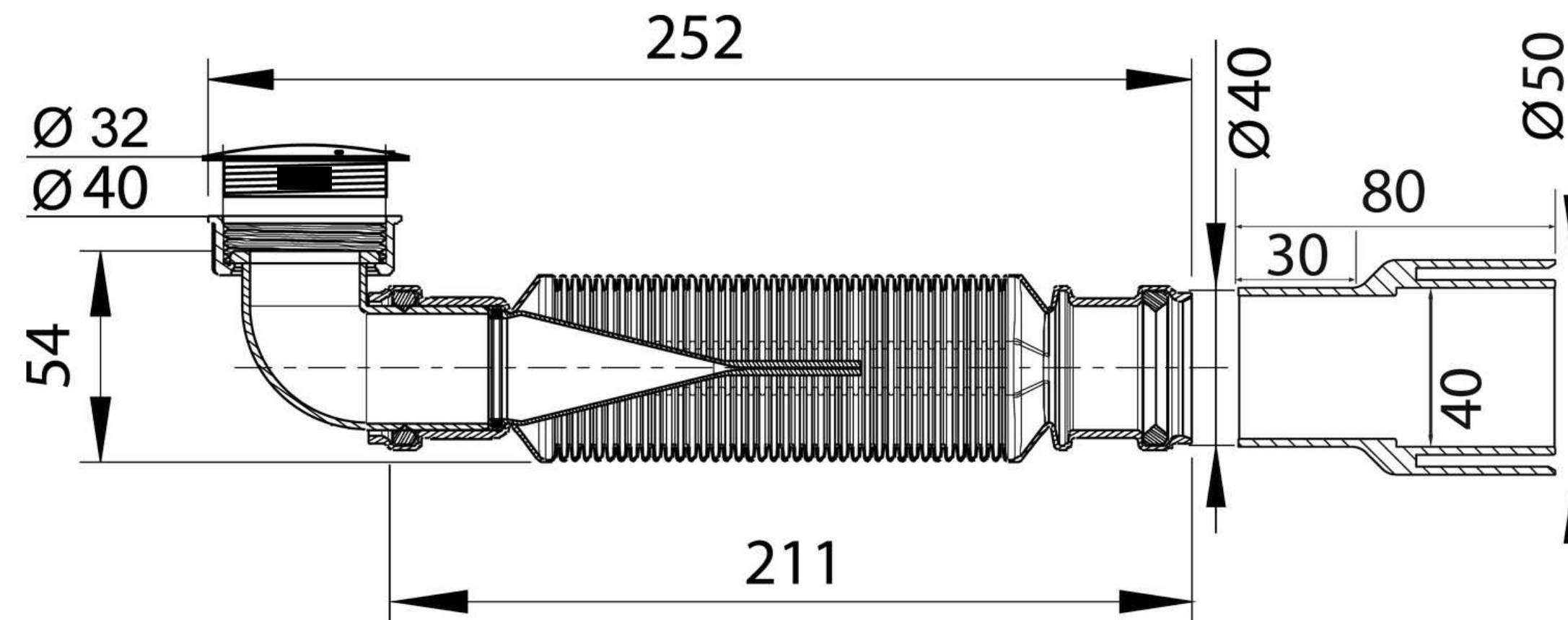
#### Base Type C,D & E

80 - 100mm Cavity - No Chopping Required



# OPTION 5

## INTEGRATED OVERFLOW

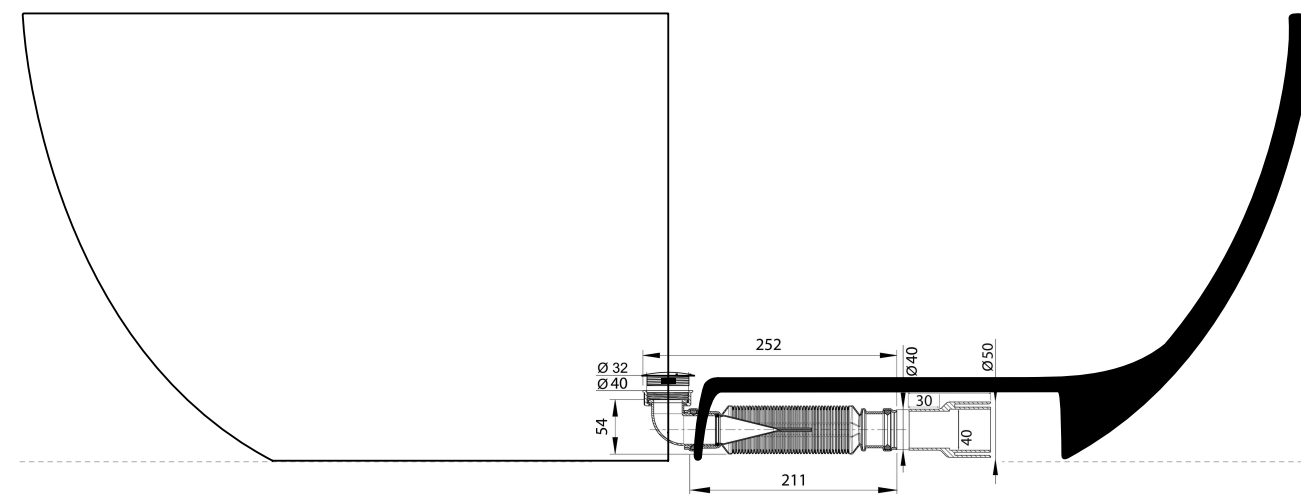


### SENZO TRAP

- ✓ Senzo Trap 30931009
- ✓ Waste BTW201L and BTW 201\*  
*\*Slot needs to be added to waste*
- ✓ FPST Universal Slinky (Optional)

### Base Type E Only

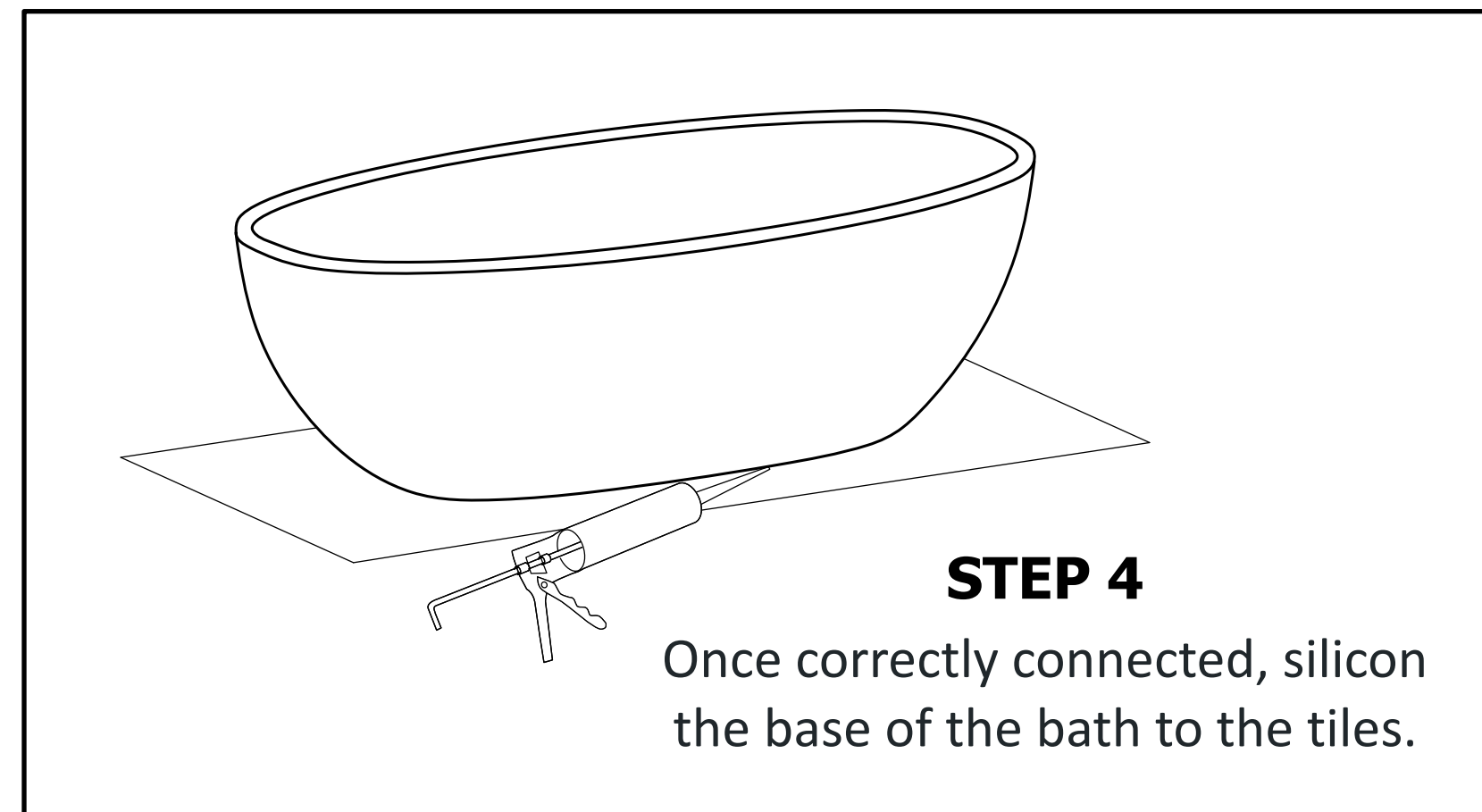
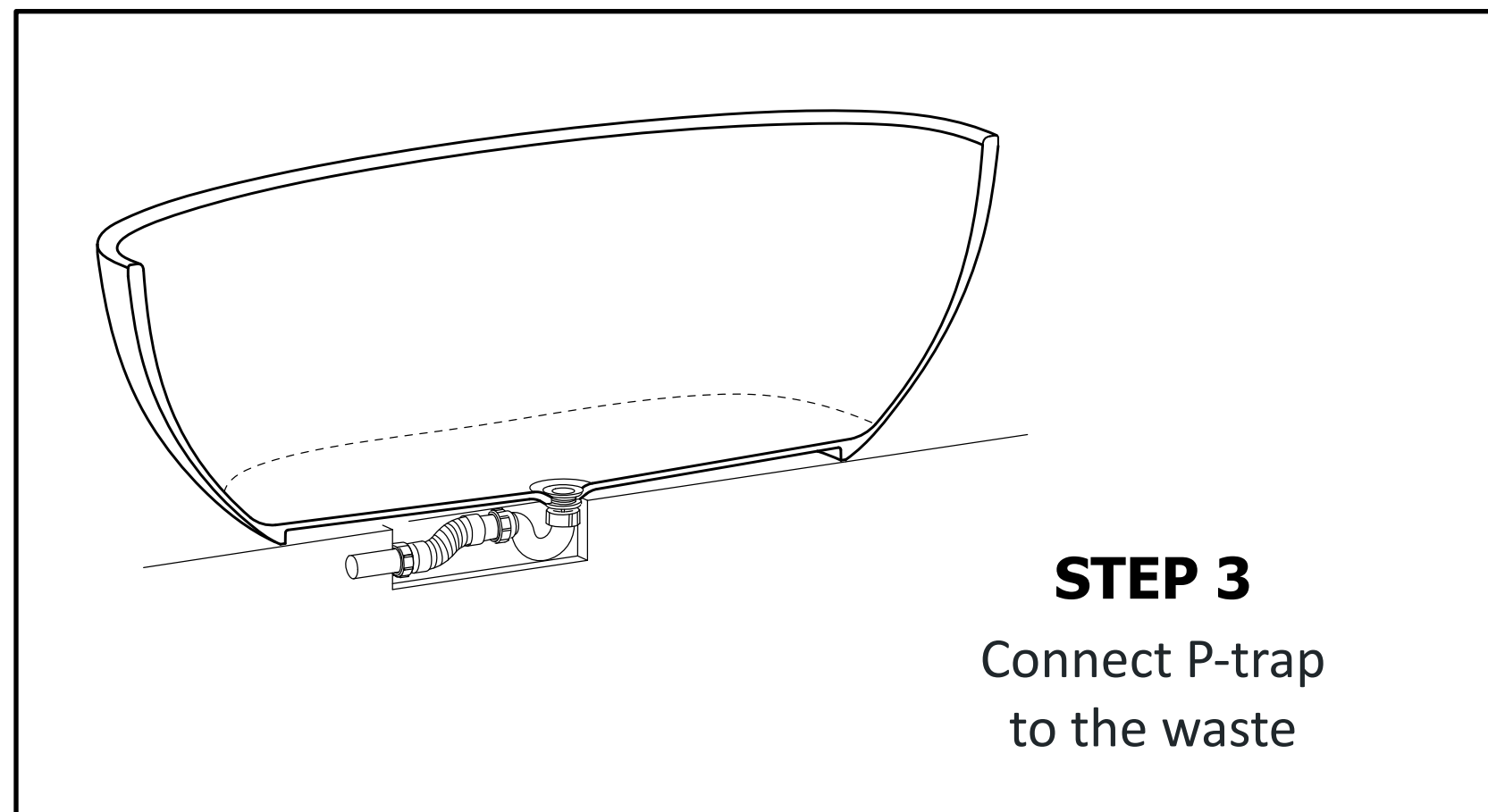
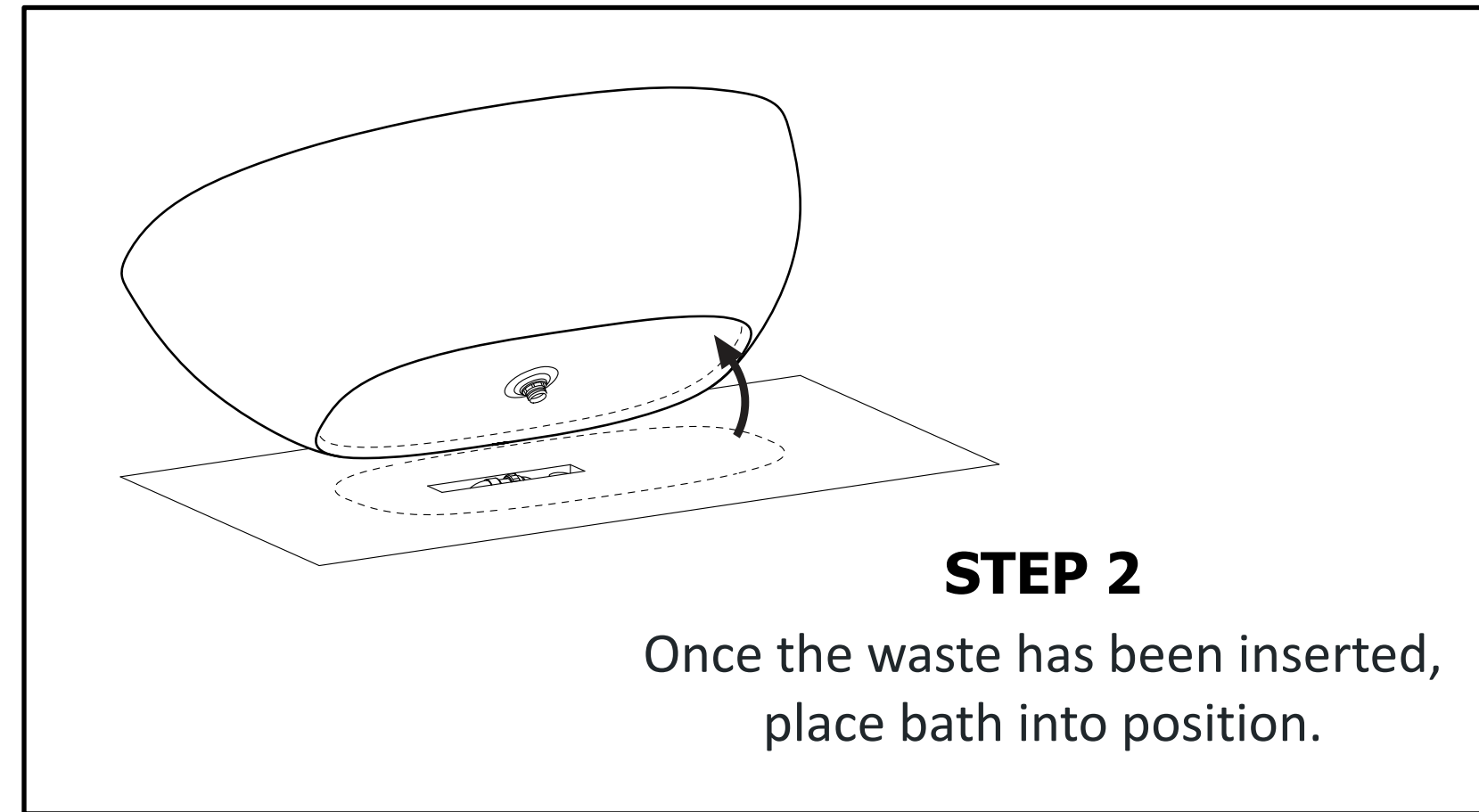
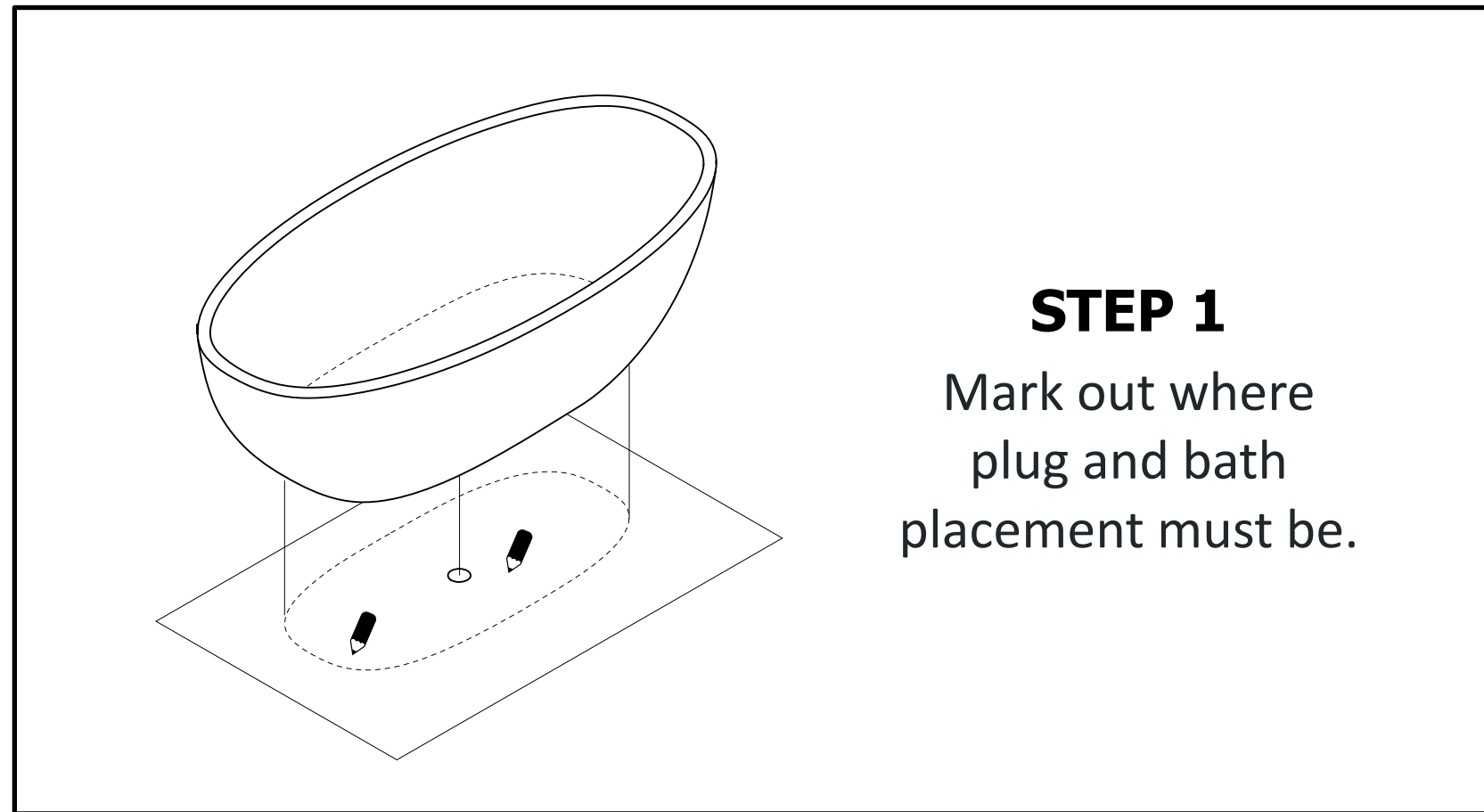
80 – 100mm Cavity – No Chopping Required







# INSTALLATION





Livingstone Baths warrant their baths against any failure in terms of product integrity and undertake to repair or replace any defective product for a period of 25 years from the date of purchase, subject to the original invoice being produced.